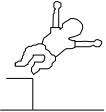
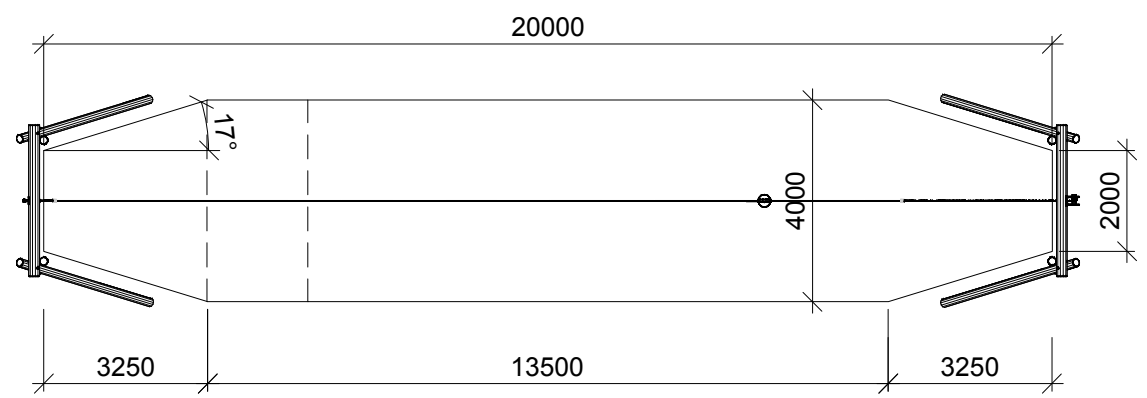
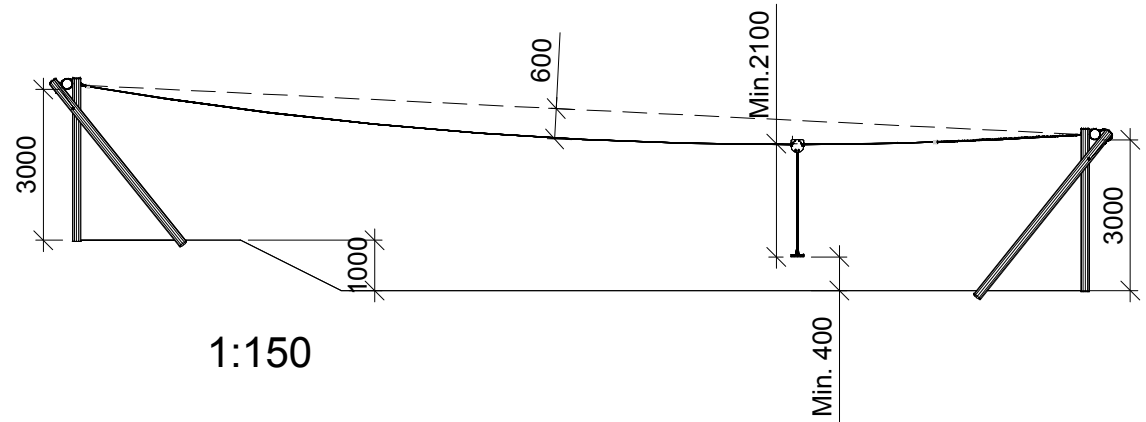
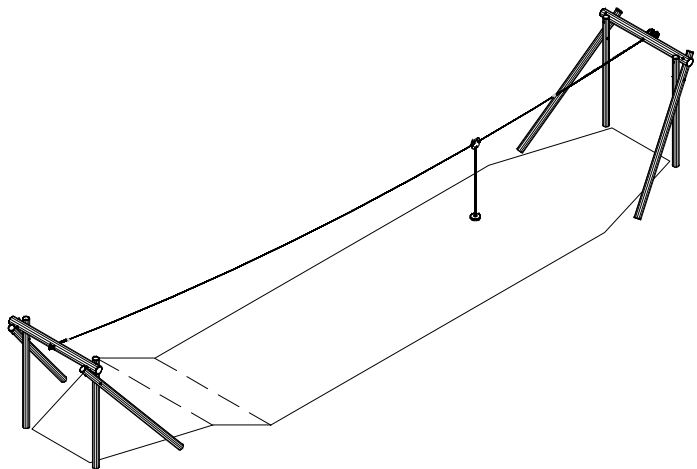


NORLEG	
Robinia svævebane 20 m	
LE 20285	
24.06.2004	REV. 07.10.2015

< 2000

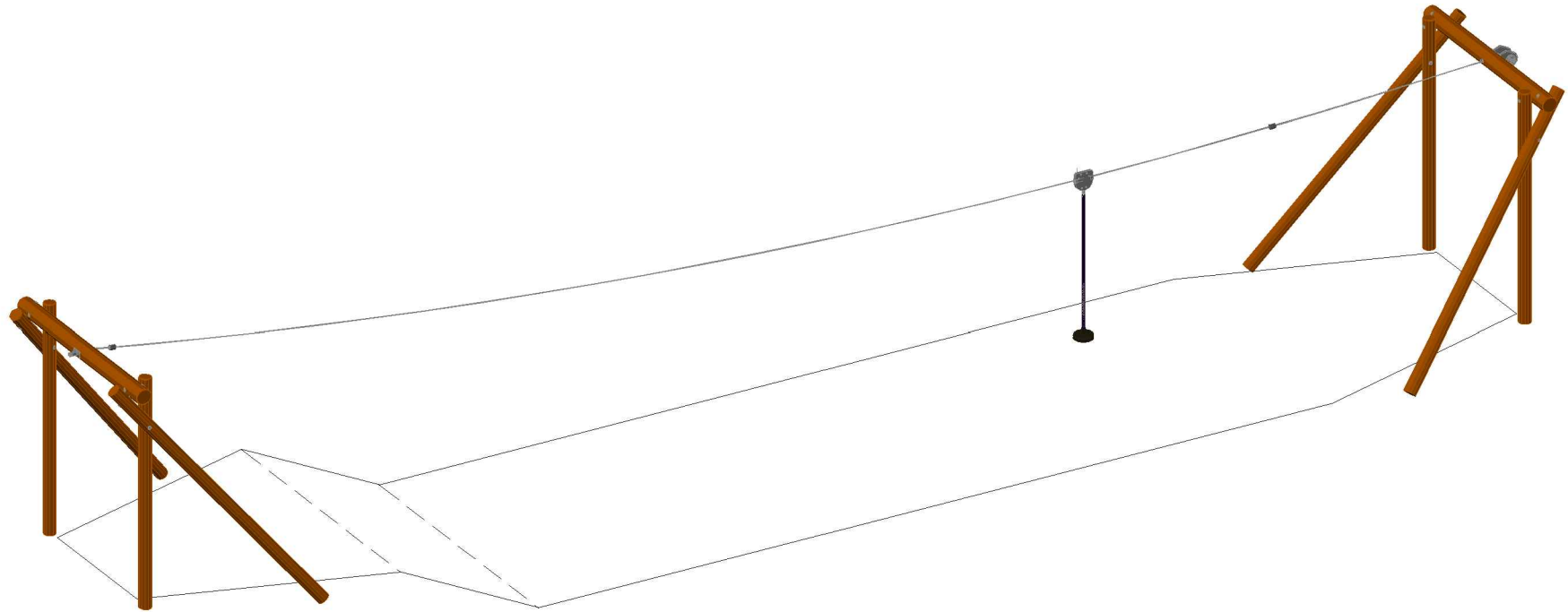


≥ EN 1176



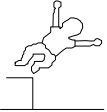
This drawing is the property of NORLEG and pursuant to current legislation may not be copied, transferred to or used by any third party. Should this drawing be used, a fee of 10% of the assumed contract price will be charged.

NORLEG - 3D	
Robinia svævebane 20 m	
LE 20285	
24.06.2004	REV. 07.10.2015

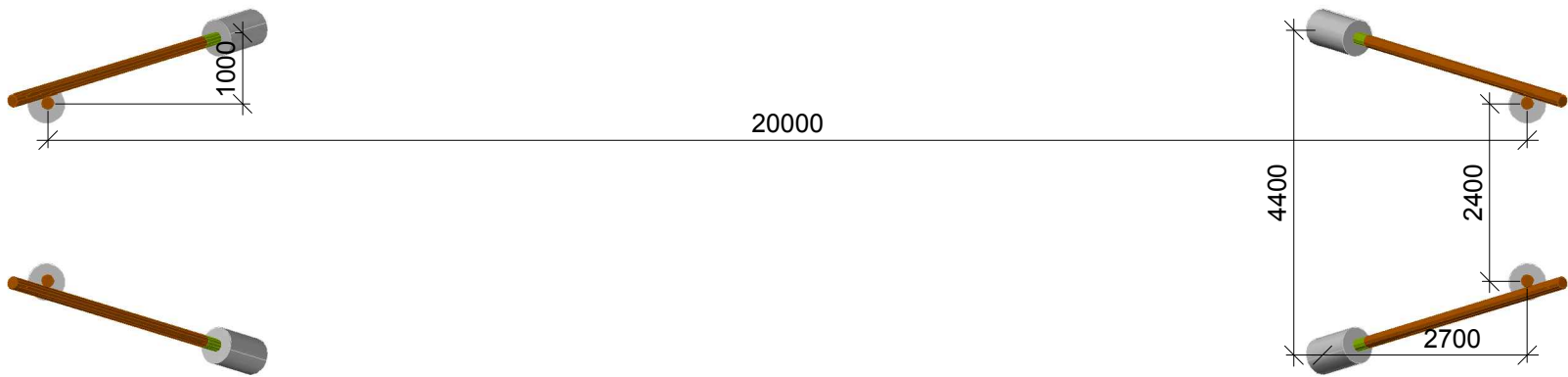


NORLEG - Mont.	
Robinia svævebane 20 m	
LE 20285	
24.06.2004	REV. 07.10.2015

< 2000




≥ EN 1176



1:100

NORLEG - Mont.	
Robinia svævebane 20 m	
LE 20285	
24.06.2004	REV. 07.10.2015

< 2000



≥ EN 1176

Mont.p. nr.

19
83
85

Parts list		
Mrk.	QTY	Part.no
1	2	200-240-3000
2	2	160-180-4000
3	2	160-180-5000
4	2	160-180-5000
5	2	160-180-6000

